

SMD POWER INDUCTORS

Series US Shielded



FEATURES

- ◆ Maximum power density.
- ◆ Low profile and shielded very effective in space-conscious applications.
- ◆ Maximum power density.

APPLICATIONS

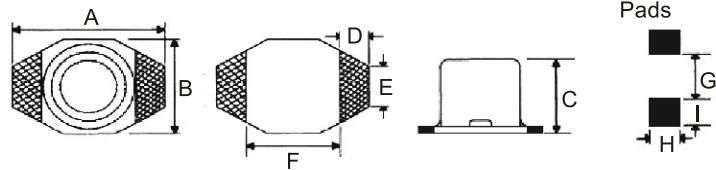
- ◆ PDA.
- ◆ Flash memory.
- ◆ Notebook & Desk PC.
- ◆ On board power supply.

PRODUCT IDENTIFICATION

US 04 C 03 2 M 10U
a b c d e f g

- a : Type of Products - SMD Power Inductors US series.
- b : Dimension(mm) - 04 : 6.6X4.45
- c : Materials - C= Base ON Ceramic
- d : Thickness(mm) - 03 = 2.92
- e : Packing - PCS/REEL - K = 2500
- f : Tolerance - K : ±10% M : ±20%
- g : Inductance - 100N = 0.1uH, 10U = 10.0 uH, 1M2 = 1200uH

SHAPES & DIMENSIONS



Unit : mm

Type	A	B	C	D	E	F	G	H	I
US04C03	6.6 Max.	4.45 Max.	2.92 Max.	1.02±0.2	1.27±0.2	4.32±0.3	4.57	3.0	1.14

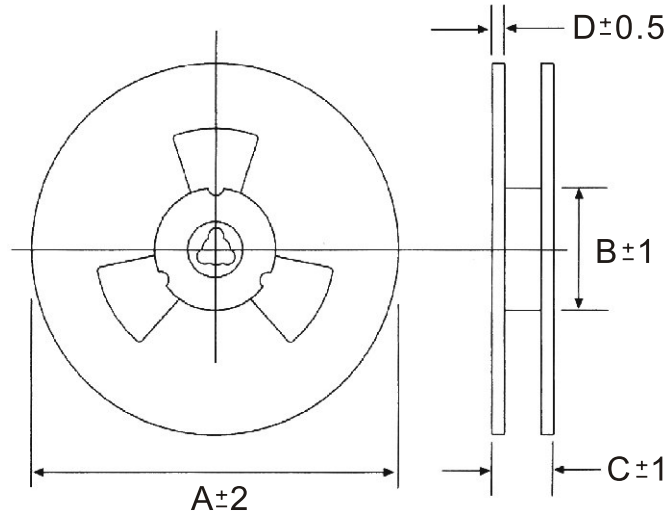
ELECTRICAL CHARACTERISTICS

Part Number	Inductance (μH)	Test Frequency (Hz)	SRF (MHz) Typ.	RDC (Ω) Max.	Irms (A) Max.
US04C03K□1U	1.0	0.1V/100K	250	0.04	3
US04C03K□1U5	1.5	0.1V/100K	125	0.045	2.30
US04C03K□2U2	2.2	0.1V/100K	120	0.05	1.80
US04C03K□3U3	3.3	0.1V/100K	120	0.055	1.60
US04C03K□4U7	4.7	0.1V/100K	105	0.06	1.40
US04C03K□6U8	6.8	0.1V/100K	50	0.065	1.20
US04C03K□10U	10	0.1V/100K	38	0.75	1.00
US04C03K□15U	15	0.1V/100K	33	0.09	0.80
US04C03K□22U	22	0.1V/100K	25	0.11	0.70
US04C03K□33U	33	0.1V/100K	20	0.19	0.60
US04C03K□47U	47	0.1V/100K	20	0.23	0.50
US04C03K□68U	68	0.1V/100K	15	0.29	0.40
US04C03K□100U	100	0.1V/100K	10	0.48	0.30
US04C03K□150U	150	0.1V/100K	9	0.59	0.26
US04C03K□220U	220	0.1V/100K	6	0.77	0.22
US04C03K□330U	330	0.1V/100K	5	1.4	0.20
US04C03K□470U	470	0.1V/100K	4	1.8	0.19
US04C03K□680U	680	0.1V/100K	3	2.2	0.16
US04C03K□1M	1000	0.1V/100K	2	3.4	0.15
US04C03K□1M5	1500	0.1V/100K	2	4.2	0.12
US04C03K□2M2	2200	0.1V/100K	2	8.5	0.1
US04C03K□3M3	3300	0.1V/100K	1	11	0.08
US04C03K□4M7	4700	0.1V/100K	1	13.9	0.06
US04C03K□6M8	6800	0.1V/100K	1	25	0.04
US04C03K□10M	10000	0.1V/100K	0.8	32.8	0.02

Note: Irms - ΔTemperature = 40°C

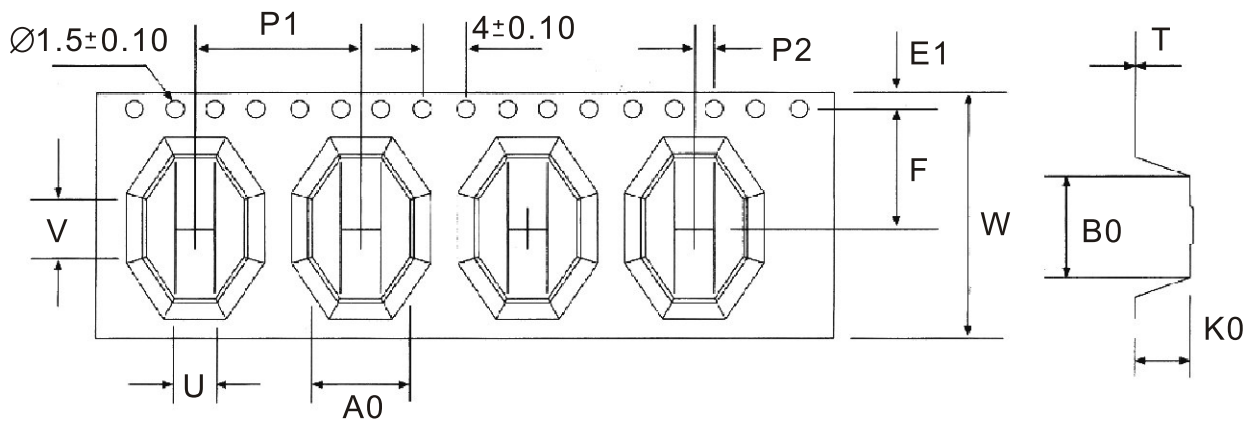
Series **US** Shielded

PACKAGING



Unit : mm

Type	Size	A	B	C	D	PCS/REEL
US04C03	12mm	330 ± 2	75 ± 1	16.5 ± 1	2.4 ± 0.5	2500



Unit : mm

Type	A0	B0	K0	P1	P2	U	V	E1	F	W	T
US04C03	4.8	6.9	3.2	8	2	1.44	1.34	1.75	5.5	12	0.3