

SMD POWER INDUCTORS

High Current

Series PF - P Shielded



FEATURES

◆ This specification applies Ferrite Chip Inductors PF Series

APPLICATIONS

◆ Low profile/ large current specifically suitable for Portable telephones, hard disk drives, PDA, DSC and other electronic equipments.

PRODUCT IDENTIFICATION

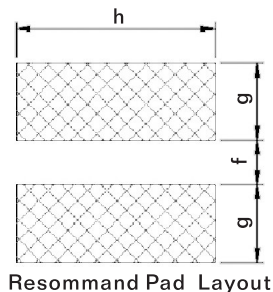
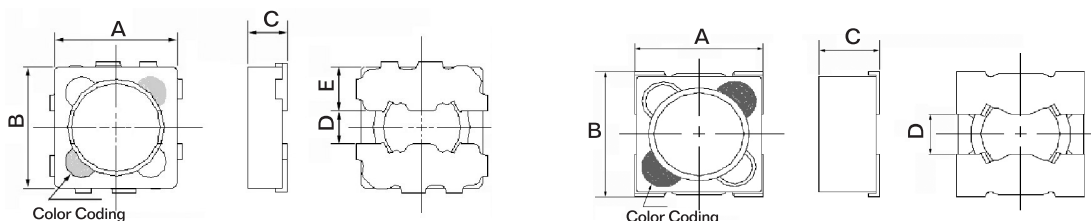
PF 2D P 10 1 M 1U2
a **b** **c** **d** **e** **f** **g**

- | | |
|-------------------------|--|
| a : Type of products | - SMD Power Inductors |
| b : Dimensions (mm) | - 2D = 3.2 X 3.2 25 = 3.8 X 3.8 |
| c : Materials | - High Current Application |
| d : Height (mm) | - 10 = 1.05 15 = 1.6 18 = 1.8 |
| e : Packing (PCS / Box) | - 1 = 1,000 |
| f : Tolerance | - M : ±20% |
| g : Inductance | - 10U = 10 μH 220U = 220 μH 1M = 1000 μH |

SHAPES & DIMENSIONS

PF2DP15' PF2DP18

PF25P10



Type	A±0.2	B±0.2	C max.	D Typ.	E Typ.	f Typ.	g Typ.	h Typ.
PF2DP15	3.2	3.2	1.60	0.8	1.1	0.8	1.4	3.6
PF2DP18	3.2	3.2	1.80	0.8	1.1	0.8	1.4	3.6
PF25P10	3.8	3.8	1.05	1.2	-	1.2	1.5	4.2

Unit : mm

SMD POWER INDUCTORS / High Current

Series **PF - P** Shielded

ELECTRICAL CHARACTERISTICS

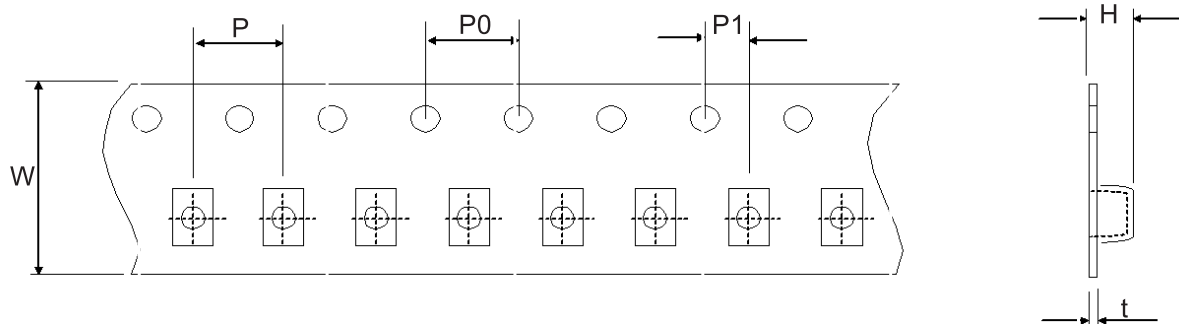
Part Number	Inductance L0 (μH)	DCR (Ω) Typ.	Idc (mA) L0▽ 10%	Idc (mA) L0▽ 35%	Irms (mA) T△ 25°C	Color Coding
PF2DP1513470N	0.47	0.040	3000	3400	2200	Black
PF2DP151□1U	1	0.049	2600	3000	2000	Black
PF2DP151□1U5	1.5	0.090	2100	2500	1500	Brown
PF2DP151□2U2	2.2	0.090	1800	2100	1280	Red
PF2DP151□3U3	3.3	0.149	1500	1720	1100	Orange
PF2DP151□3U9	3.9	0.158	1400	1560	1020	Yellow
PF2DP151□4U7	4.7	0.197	1300	1500	960	Black
PF2DP151□5U6	5.6	0.232	1200	1300	940	Black
PF2DP151□6U8	6.8	0.266	1100	1300	840	Brown
PF2DP151M10U	10	0.403	940	1100	740	Red
PF2DP151M15U	15	0.567	760	860	600	Orange
PF2DP151M22U	22	0.905	600	680	460	Yellow
PF2DP151M33U	33	1.486	440	480	400	Black
PF2DP151M47U	47	1.814	400	440	260	Brown
PF2DP151M100U	100	3.840	240	280	240	Black
PF2DP181□1U	1	0.045	2600	3000	2000	Black
PF2DP181□1U8	1.8	0.078	2400	2800	1760	Brown
PF2DP181□2U2	2.2	0.090	1800	2140	1440	Red
PF2DP181□3U3	3.3	0.103	1500	1800	1100	Orange
PF2DP181□3U9	3.9	0.115	1500	1780	1050	Yellow
PF2DP181□4U7	4.7	0.152	1400	1600	1000	Black
PF2DP181□6U8	6.8	0.223	1200	1400	950	Brown
PF2DP181M10U	10	0.360	920	1020	780	Red
PF2DP181M12U	12	0.410	840	980	680	Orange
PF2DP181M15U	15	0.622	800	900	620	Yellow
PF2DP181M22U	22	0.750	640	740	450	Black
PF2DP181M100U	100	3.200	300	330	300	Black
PF25P101□1U	1	0.110	2200	2400	1500	Black
PF25P101□1U5	1.5	0.150	1960	2140	1300	Brown
PF25P101□2U2	2.2	0.212	1660	1800	1020	Red
PF25P101□3U3	3.3	0.309	1420	1520	880	Orange
PF25P101□4U7	4.7	0.391	1280	1380	800	Yellow
PF25P101□6U8	6.8	0.580	1000	1080	600	Black
PF25P101M10U	10	1.029	760	820	420	Brown
PF25P101M15U	15	1.350	680	740	360	Red
PF25P101M22U	22	2.025	520	560	300	Orange
PF25P101M27U	27	2.399	480	520	280	Yellow
PF25P101M33U	33	2.861	420	460	240	Black

L' IDC : Agilent / PH 4284A/1KHz with 1V.
RDC : DIGITAL MILLIOHM METER Chroma 16502, or equivalent.
Idc for Inductance drop 10% or 35% from its value without current.
Irms for a 25°C rise above 25°C ambient.
Operating temperature range :25~+105°C

SMD POWER INDUCTORS High Current

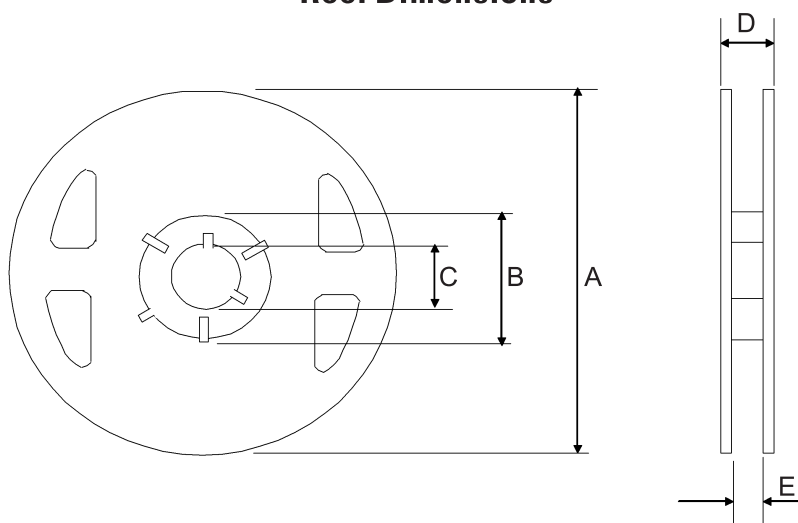
Series **PF-P** Shielded
Packaging

Tape Dimensions



Type	W	P	P0	P1	H	Dimension in mm	
						T	
PF2DP15	12.0	8.0	4.00	2	1.8	0.23	
PF2DP18	12.0	8.0	4.00	2	2.1	0.23	
PF25P10	12.0	8.0	4.00	2	1.3	0.23	

Reel Dimensions



Type	A	B	C	D	Dimension in mm	
					E	
All Series	180.0	60.0	13.00	16	13.2	